



hohner

HOHNER AUTOMAZIONE SRL

Serie PK

Incremental hollow shaft encoder,
high settlement;
PM self-aligning system painted

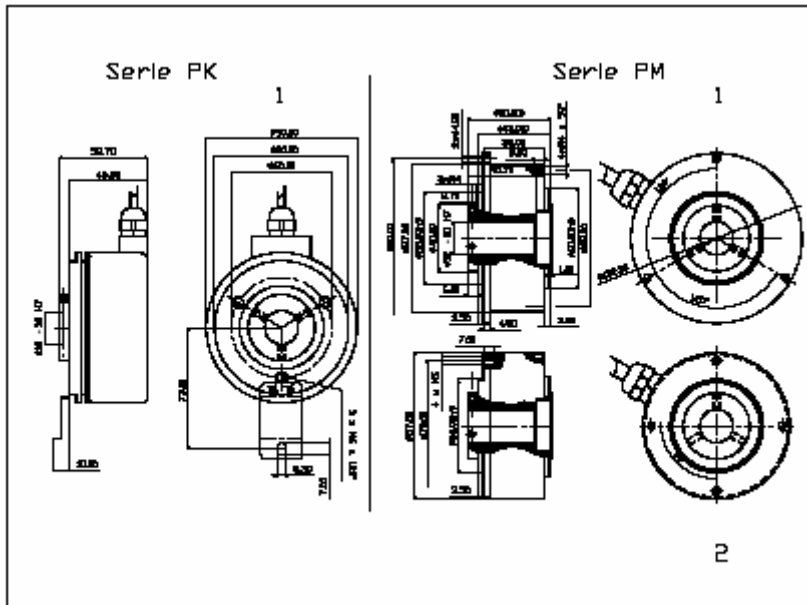
Serie PM

Mechanics Data


Cover:	Aluminium (PK lacquered)
Body:	Aluminium
Solid shaft:	Stainless steel
Bearings:	2, ballraces
Weight:	Approx. 800gr.
Protection:	IP55
Rpm:	3000 Max.
Torque:	3,5Ncm
Inertia:	60gcm ²
Shaft loading MAX:	Axial 50N - Radial 50N
Recovery max value PM:	Angular 1,5° -0,7mm axial and radial

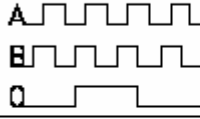


Dimensions mm



Series PK
Series PM

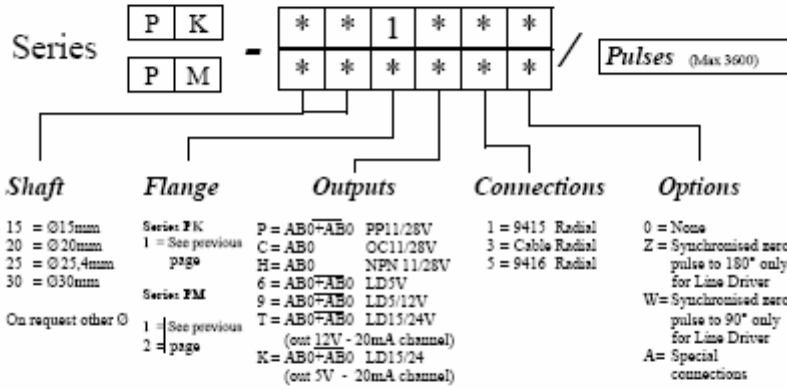
Output signals (cw) 



Electronics Data

Power supply: from 5 to 24V depends on the electronics circuit
 Current consumption: 40/80mA depends on the electronics circuit
 Permissible load: 20/40mA depends on the electronics circuit
 Frequency: 100KHz
 Protections: Against short circuit, reversal polarity
 Operating Temp.: -10/+60°C

Ordering code



Connections

	0 Volt	+ Volt	A	B	\overline{A}	\overline{B}	0	$\overline{0}$
Cable 5 Way	White	Brown	Green	Yellow			Gray	
Cable 8 Way	Black	Blue	Brown	Beige	Green	Yellow	Pink	Violet
Connector 9416-9415	Pin1	Pin2	Pin3	Pin4	Pin5	Pin6	Pin7	Pin8

İMAJ



İmaj Teknik Elektrik Elektronik San. ve Tic. Ltd. Şti.

EMEKYEMEZ MAH.TUTSAK SOK. NO: 16/13-14-15
 KARAKOY/İSTANBUL
 TURKEY

Telefon : +90 212 235 9535 / 36
 Fax : +90 212 235 9537

www.imajteknik.com
 www.imajteknik.com.tr